

MONTGOMERY & RICHMOND AS

STATE OF NORTH CAROLINA
DIVISION OF HIGHWAYS

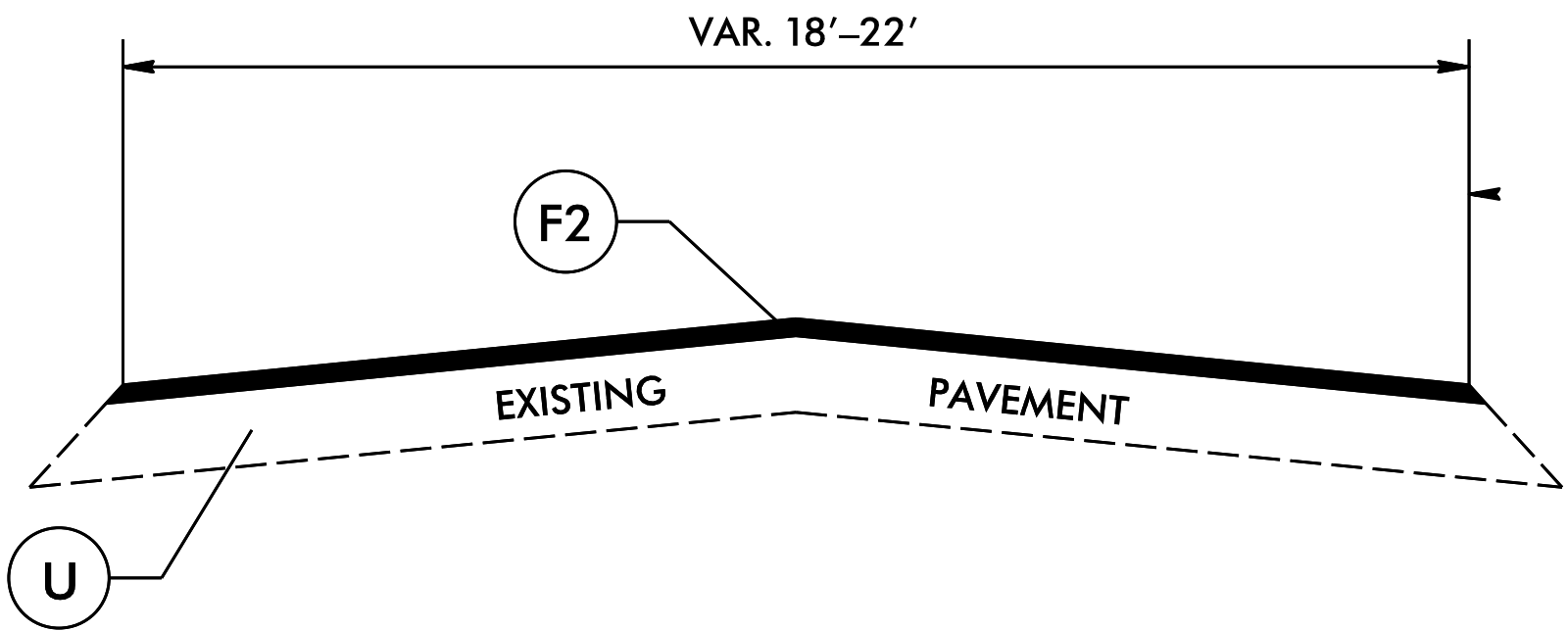
MONTGOMERY & RICHMOND

| STATE | STATE PROJECT REFERENCE NO. | SHEET NO. | TOTAL SHEETS |
|-----------------|-----------------------------|-------------|--------------|
| N.C. | 2022CPT.08.03.20622, ECT | 1 | 9 |
| STATE PROJ. NO. | F.A. PROJ. NO. | DESCRIPTION | |
| | | | |
| | | | |
| | | | |
| | | | |
| | | | |
| | | | |
| | | | |



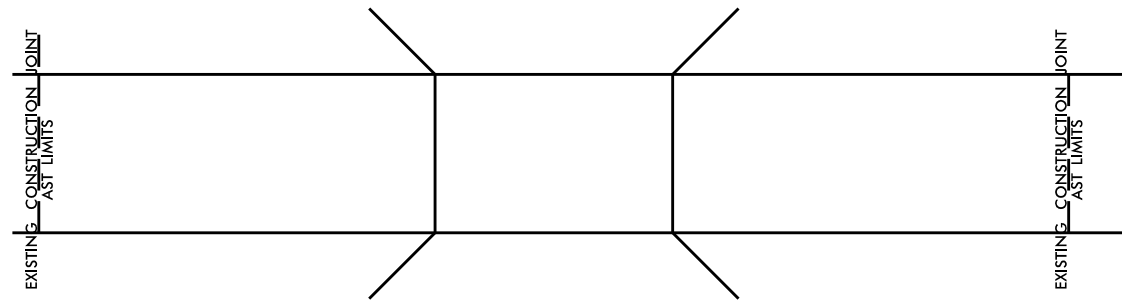
*DIVISION OF HIGHWAYS
DIVISION 8
121 DOT DRIVE
ABERDEEN NC 28327*

DATE PLOTTED: 08/03/2022 10:00 AM
PLOTTER: HP DesignJet T1100e
SCALE: 1" = 1000'
SHEET: 1 OF 9

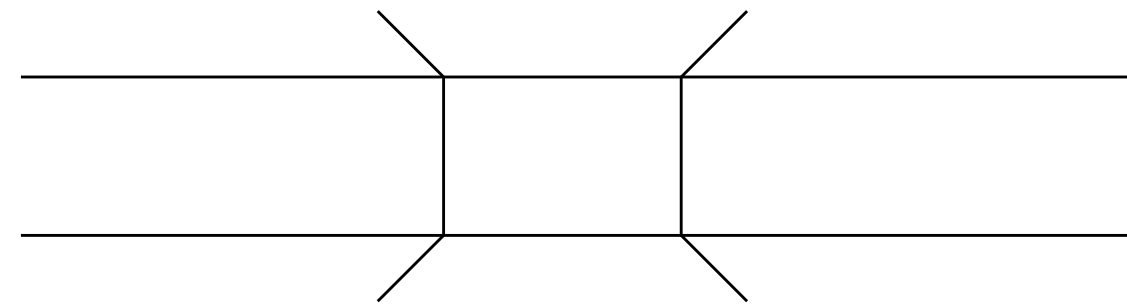


| PAVEMENT SCHEDULE | |
|-------------------|--|
| F2 | ASPHALT SURFACE TREATMENT, DOUBLE SEAL |
| F3 | ASPHALT SURFACE TREATMENT, TRIPLE SEAL |
| U | EXISTING PAVEMENT |
| | |

TYPICAL SECTION NO. 1



**BRIDGE DRAWING FOR
 MAP NO 2 SR 1188
 (BRIDGE NO. 232)**

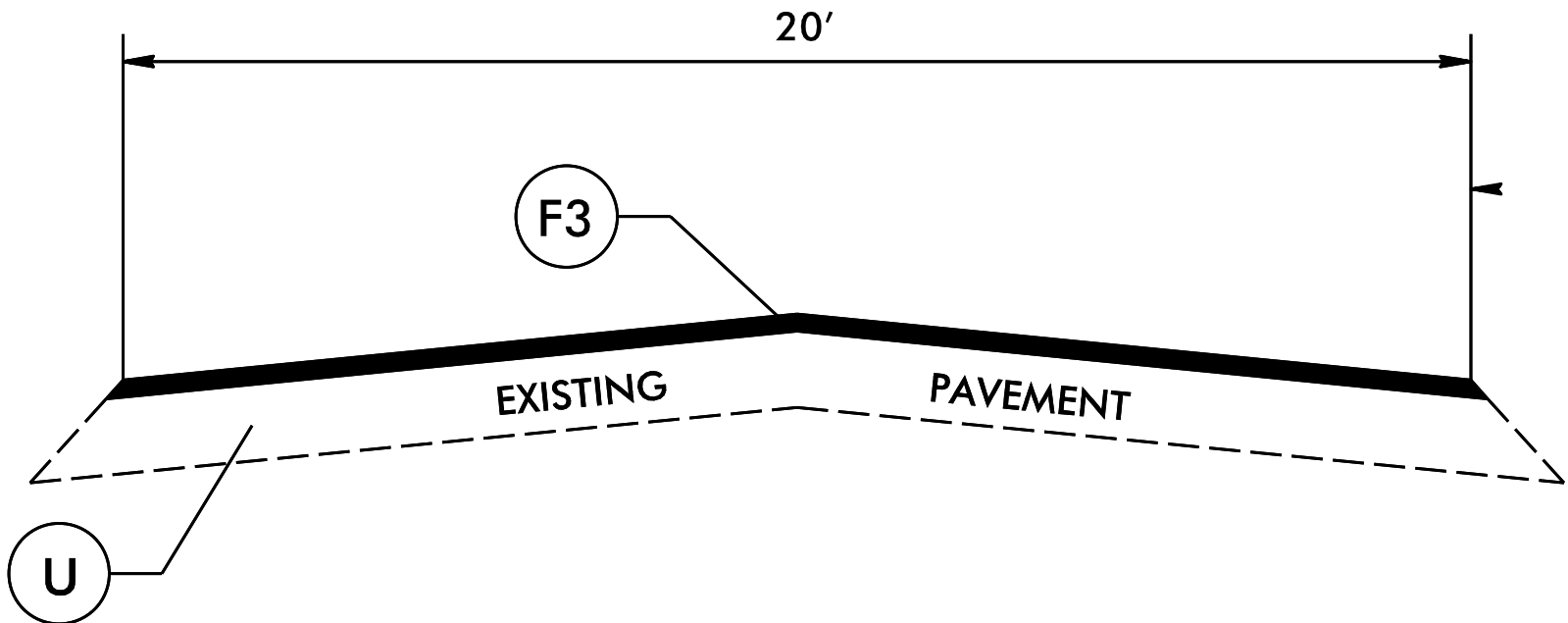


**BRIDGE DRAWING FOR
 MAP NO 2 SR 1188
 (RR BRIDGE NO. 233)**

DO NOT PAVE BRIDGE NO. 232

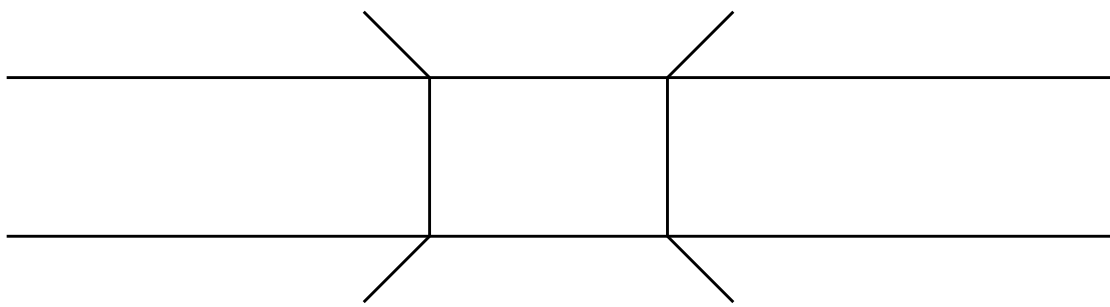
PAVE UNDER RR BRIDGE NO. 233

040397
 SYSTEM USE ONLY



| PAVEMENT SCHEDULE | |
|-------------------|--|
| F2 | ASPHALT SURFACE TREATMENT, DOUBLE SEAL |
| F3 | ASPHALT SURFACE TREATMENT, TRIPLE SEAL |
| U | EXISTING PAVEMENT |
| | |

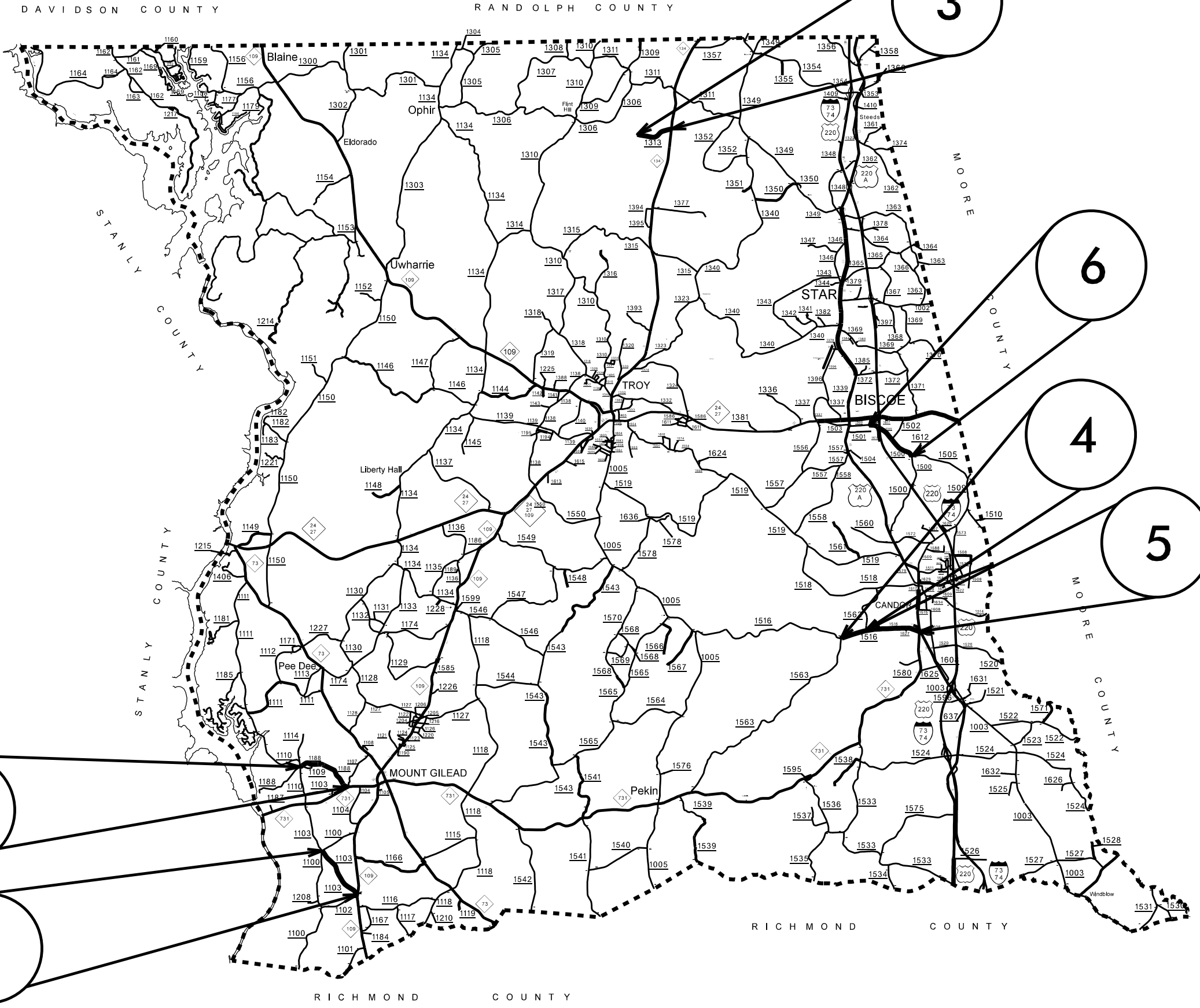
TYPICAL SECTION NO. 2



**BRIDGE DRAWING FOR
MAP NO. 6 SR 1500
(BRIDGE NO. 21 AND 23)**

PAVE UNDER BRIDGE NO. 21 AND 23

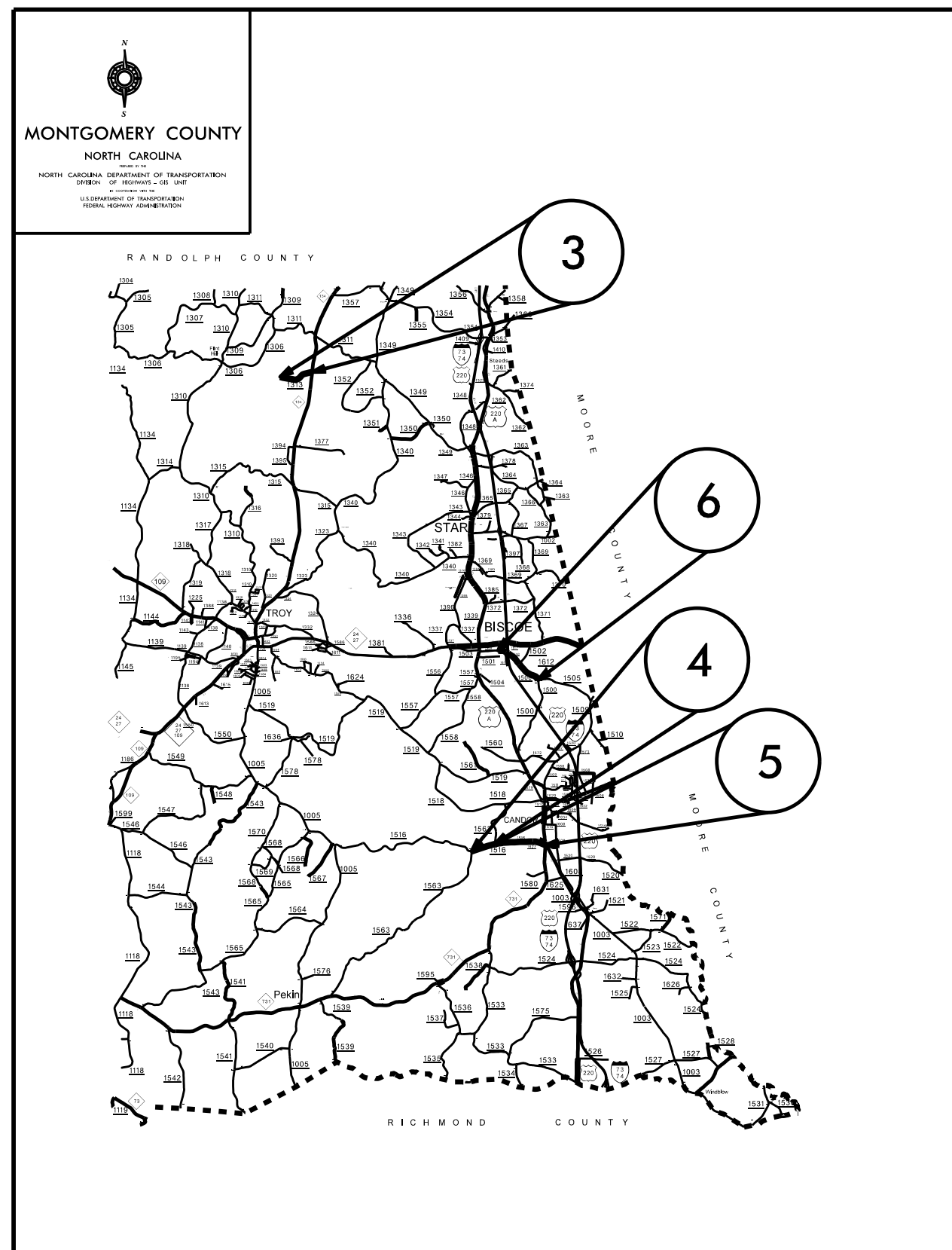
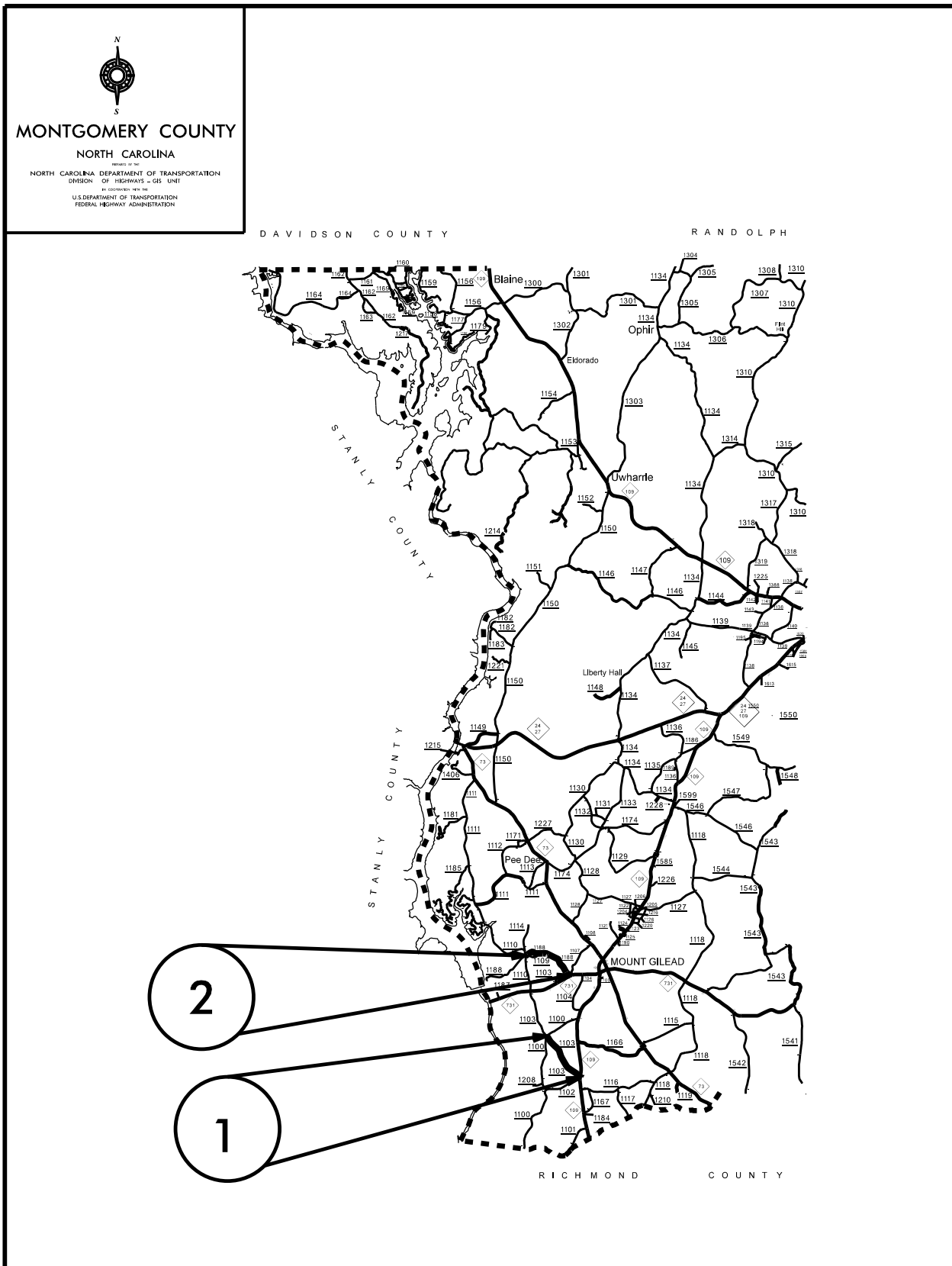
040397
SYSTEMS
CONDONS
USERNAME



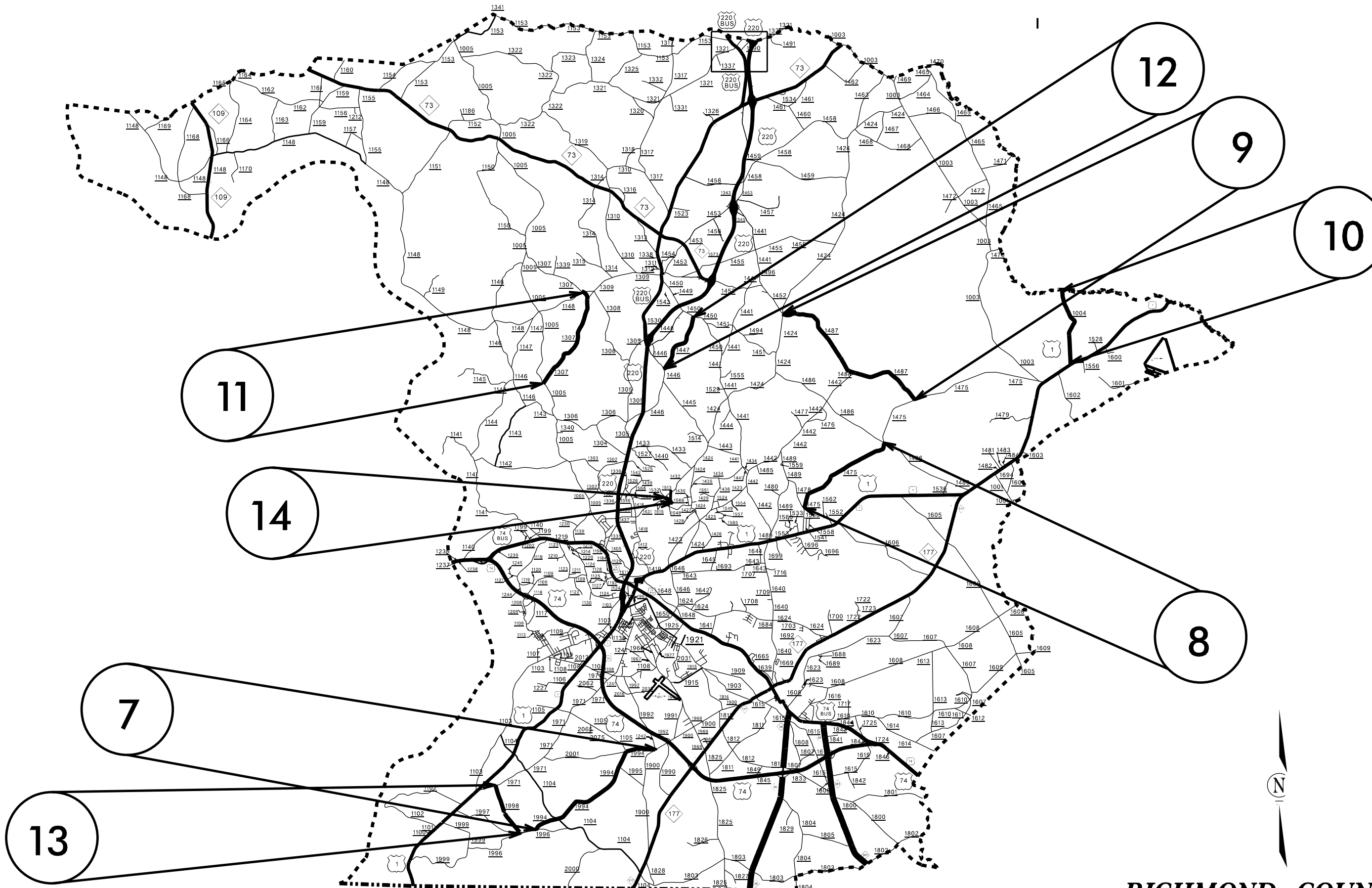
MONTGOMERY COUNTY
SEAL MAP

040397

 SYSTEMS
 & SERVICES



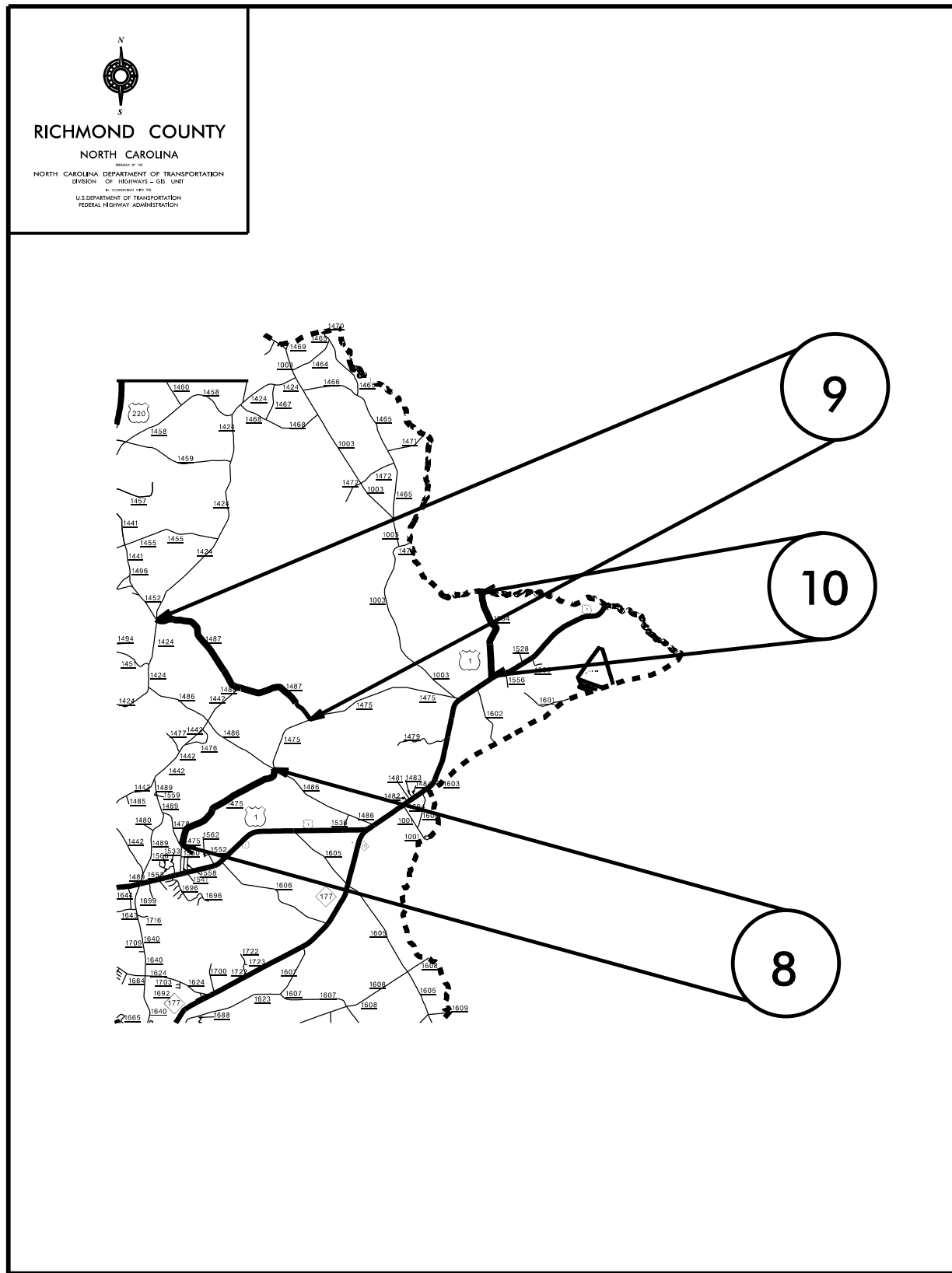
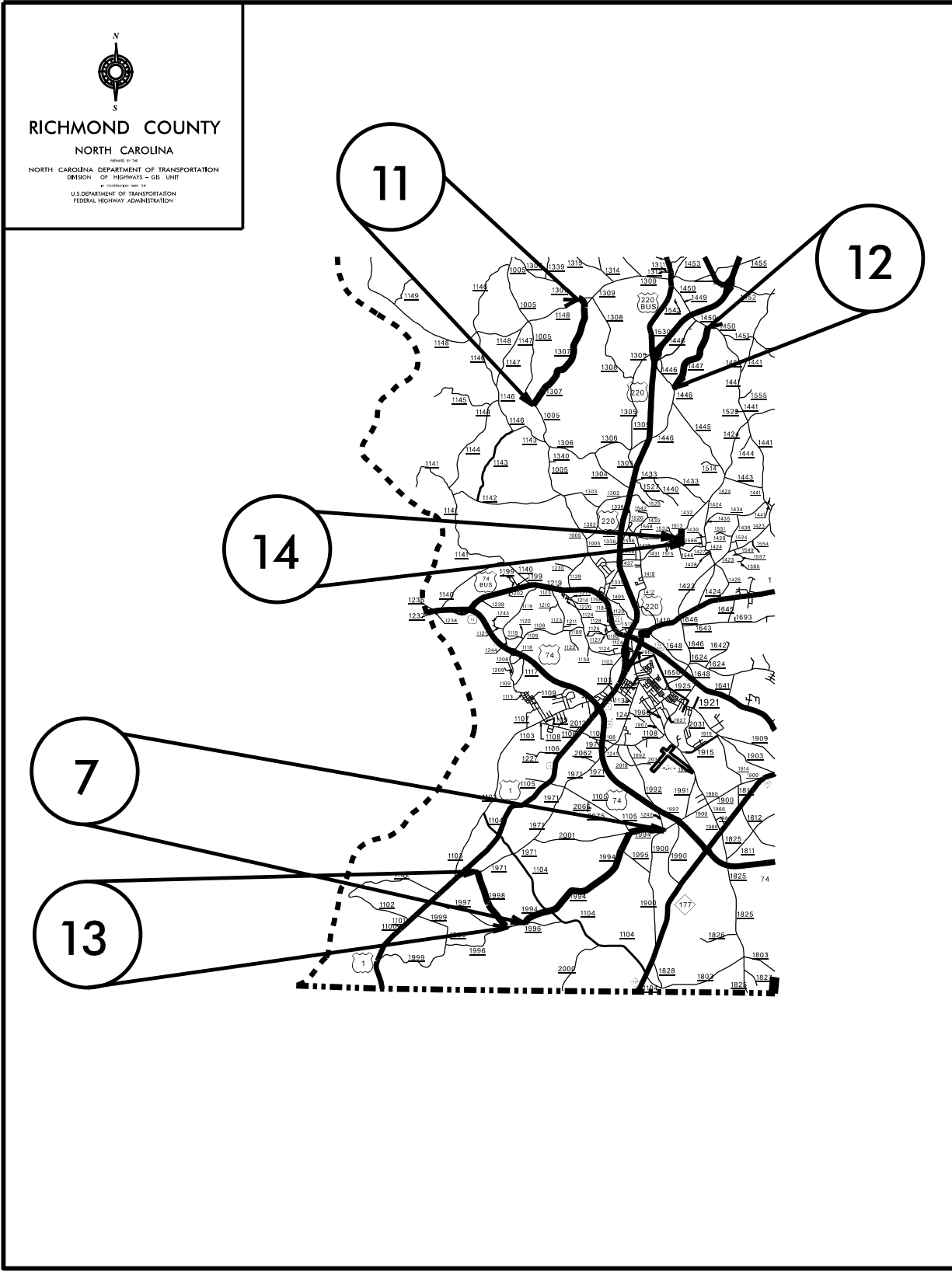
SYSTEMS
NO. 12
09/13/2023 10:51:27 AM
C:\STI\GIS\WORKSPACE\GIS\DOTCEN\DOTCEN.dwg
DOTCEN:12/20230913105127
USER:DOTCEN



RICHMOND COUNTY

040397

SYSTEMS
DESIGN
INC.



040397

SYSTEMS
SECTION
USER NAME

| PROJECT NO. | SHEET NO. | TOTAL NO. |
|---|-----------|-----------|
| 2022CPT.08.03.20622, 2022CPT.08.03.20772 | 8 | |

SUMMARY OF QUANTITIES

| PROJECT NO | COUNTY | MAP NO | ROUTE | DESCRIPTION | TYP NO | LANES | LANE TYPE | FINAL SURFACE TESTING REQUIRED | WARM MIX ASPHALT REQUIRED | LENGTH | WIDTH | 1022000000-E | 1803500000-E | 1836000000-E | 1838000000-E | 1838500000-N | 2143000000-E | | | |
|---|------------|--------|-----------------------------------|---|--------|-------|-----------|--------------------------------|---------------------------|--------|-------|---|--|--|--|------------------|---------------|-------------|-----------|--|
| | | | | | | | | | | | | SEALING EXISTING PAVEMENT CRACKS & JOINTS | ASPHALT SURFACE TREATMENT, DOUBLE SEAL | ASPHALT SURFACE TREATMENT, TRIPLE SEAL | EMULSION FOR ASPHALT SURFACE TREATMENT | VACUUM TRUCK | BLOTTING SAND | | | |
| | | | | | | | | | | | | MI | FT | LB | SY | SY | GAL | WK | TON | |
| 2022CPT.08.03.20622 | Montgomery | 1 | SR 1103 (THOMASVILLE CH RD) | FROM NC 109 TO SR 1100 (MCKAY HILL RD) | 1 | 2 | | NO | NO | 1.57 | 18 | | 16,600.00 | | | 9,150 | | | | |
| TOTAL FOR MAP NO. 1 | | | | | | | | | | | | 1.57 | | 16,600.00 | | 9,150 | | | | |
| 2022CPT.08.03.20622 | Montgomery | 2 | SR 1188 (HYDRO RD) | FROM NC 731 TO SR 1110 (LILLYS BRIDGE RD) | 1 | 2 | | NO | NO | 1.643 | 22 | | 21,250.00 | | | 11,700 | 5.00 | 25 | | |
| TOTAL FOR MAP NO. 2 | | | | | | | | | | | | 1.643 | | 21,250.00 | | 11,700 | 5.00 | 25 | | |
| 2022CPT.08.03.20622 | Montgomery | 3 | SR 1313 (LUCAS RD) | FROM NC 134 TO DEAD END | 1 | 2 | | NO | NO | 0.958 | 18 | | 10,150.00 | | | 5,583 | | | | |
| TOTAL FOR MAP NO. 3 | | | | | | | | | | | | 0.958 | | 10,150.00 | | 5,583 | | | | |
| 2022CPT.08.03.20622 | Montgomery | 4 | SR 1516 (MCCALLUM RD) | FROM SR 1562 (MCCALLUM POND RD) TO SR 1563 (LOVIN HILL RD) | 1 | 2 | | NO | NO | 0.691 | 20 | | 8,150.00 | | | 4,485 | | | | |
| TOTAL FOR MAP NO. 4 | | | | | | | | | | | | 0.691 | | 8,150.00 | | 4,485 | | | | |
| 2022CPT.08.03.20622 | Montgomery | 5 | SR 1516 (MCCALLUM RD) | FROM NC 731 TO SR 1562 (MCCALLUM POND RD) | 1 | 2 | | NO | NO | 1.497 | 20 | | 17,600.00 | | | 9,680 | | | | |
| TOTAL FOR MAP NO. 5 | | | | | | | | | | | | 1.497 | | 17,600.00 | | 9,680 | | | | |
| 2022CPT.08.03.20622 | Montgomery | 6 | SR 1500 (POST OFFICE RD) | FROM SR 1505 (CABIN CREEK RD) TO SR 1577 (MCCASKILL ST) | 2 | 2 | | NO | NO | 1.49 | 20 | | | 17,600.00 | | 13,950 | | | | |
| TOTAL FOR MAP NO. 6 | | | | | | | | | | | | 1.49 | | | 17,600.00 | 13,950 | | | | |
| TOTAL FOR PROJ NO. 2022CPT.08.03.20622 | | | | | | | | | | | | 7.849 | | 73,750.00 | 17,600.00 | 54,548 | 5.00 | 25 | | |
| 2022CPT.08.03.20772 | Richmond | 7 | SR 1994(ELLERBE GROVE CHURCH RD.) | FROM SR 1900(BATTLE DAIRY RD) TO SR 1996(FAIRLY HAYES RD) | | 2 | 2WU | NO | NO | 4.75 | 20 | 17,100.00 | | | | | | | | |
| TOTAL FOR MAP NO. 7 | | | | | | | | | | | | 4.75 | | 17,100.00 | | | | | | |
| 2022CPT.08.03.20772 | Richmond | 8 | SR 1475(MCDONALD CHURCH RD) | FROM SR 1486(BEAVERDAM CH RD) TO SR 1478(SCOTT MCDONALD RD) | | 2 | 2WU | NO | NO | 3.29 | 20 | 11,844.00 | | | | | | | | |
| TOTAL FOR MAP NO. 8 | | | | | | | | | | | | 3.29 | | 11,844.00 | | | | | | |
| 2022CPT.08.03.20772 | Richmond | 9 | SR 1487(MILLSTONE RD) | SR 1424(SANDHILLS GAME MANAGEMENT) TO SR 1475(MCDONALD CHURCH RD) | | 2 | 2WU | NO | NO | 5.32 | 20 | 19,152.00 | | | | | | | | |
| TOTAL FOR MAP NO. 9 | | | | | | | | | | | | 5.32 | | 19,152.00 | | | | | | |
| 2022CPT.08.03.20772 | Richmond | 10 | SR 1004(LITTLE RD) | FROM US HWY 1(MAIN ST) TO MOORE COUNTY LINE | | 2 | 2WU | NO | NO | 2.25 | 20 | 8,100.00 | | | | | | | | |
| TOTAL FOR MAP NO. 10 | | | | | | | | | | | | 2.25 | | 8,100.00 | | | | | | |
| 2022CPT.08.03.20772 | Richmond | 11 | SR 1307(PLEASANT HILL CH RD) | FROM SR 1148(GRASSY ISLAND RD) TO SR 1005 CARTLEDGE CREEK RD) | 1 | 2 | 2WU | NO | NO | 3.25 | 22 | | 41,439.00 | | | 20,719 | 4.00 | 25 | | |
| TOTAL FOR MAP NO. 11 | | | | | | | | | | | | 3.25 | | 41,439.00 | | 20,719 | 4.00 | 25 | | |
| 2022CPT.08.03.20772 | Richmond | 12 | SR 1447(BILL NICHOLSON RD) | FROM SR 1446(HAYWOOD CEMETARY RD) TO SR 1450(GREEN LAKE RD) | 1 | 2 | 2WU | NO | NO | 1.93 | 20 | | 22,900.00 | | | 11,450 | | | | |
| TOTAL FOR MAP NO. 12 | | | | | | | | | | | | 1.93 | | 22,900.00 | | 11,450 | | | | |
| 2022CPT.08.03.20772 | Richmond | 13 | SR 1998(MCGEE RD) | FROM SR 1971(SANDHILLS RD) TO SR 1996(FAIRLY HAYES RD) | 1 | 2 | 2WU | NO | NO | 1.66 | 20 | | 19,273.00 | | | 9,636 | | | | |
| TOTAL FOR MAP NO. 13 | | | | | | | | | | | | 1.66 | | 19,273.00 | | 9,636 | | | | |
| 2022CPT.08.03.20772 | Richmond | 14 | SR 1513(SPRING DR) | FROM SR 1432(MCNEIL RD) TO DEAD END | 1 | 2 | 2WU | NO | NO | 0.329 | 20 | | 3,860.00 | | | 2,123 | | | | |
| TOTAL FOR MAP NO. 14 | | | | | | | | | | | | 0.329 | | 3,860.00 | | 2,123 | | | | |
| TOTAL FOR PROJ NO. 2022CPT.08.03.20772 | | | | | | | | | | | | 22.779 | | 56,196.00 | 87,472.00 | 43,928 | 4.00 | 25 | | |
| GRAND TOTAL | | | | | | | | | | | | 30.628 | | 56,196.00 | 161,222.00 | 17,600.00 | 98,476 | 9.00 | 50 | |

| PROJECT NO. | SHEET NO. | TOTAL NO. |
|---|-----------|-----------|
| 2022CPT.08.03.20622, 2022CPT.08.03.20772 | 9 | |

THERMOPLASTIC AND PAINT QUANTITIES

| PROJECT NO | COUNTY | MAP NO | ROUTE | DESCRIPTION | TYP NO | LANES | LANE TYPE | LENGTH | WIDTH | 4413000000-E | 4457000000-N | | |
|---|------------|--------|-----------------------------------|---|--------|-------|-----------|--------|-------|---------------------------------|-----------------|--------------|----------|
| | | | | | | | | | | WORK ZONE | TEMPORARY | | |
| | | | | | | | | | | ADVANCE/GENERAL WARNING SIGNING | TRAFFIC CONTROL | | |
| | | | | | | | | | | MI | FT | SF | LS |
| 2022CPT.08.03.20622 | Montgomery | 1 | SR 1103 (THOMASVILLE CH RD) | FROM NC 109 TO SR 1100 (MCKAY HILL RD) | 1 | 2 | | 1.57 | 18 | 180 | | | |
| TOTAL FOR MAP NO. 1 | | | | | | | | | | 1.57 | | 180 | |
| 2022CPT.08.03.20622 | Montgomery | 2 | SR 1188 (HYDRO RD) | FROM NC 731 TO SR 1110 (LILLYS BRIDGE RD) | 1 | 2 | | 1.643 | 22 | 190 | | | |
| TOTAL FOR MAP NO. 2 | | | | | | | | | | 1.643 | | 190 | |
| 2022CPT.08.03.20622 | Montgomery | 3 | SR 1313 (LUCAS RD) | FROM NC 134 TO DEAD END | 1 | 2 | | 0.958 | 18 | 110 | | | |
| TOTAL FOR MAP NO. 3 | | | | | | | | | | 0.958 | | 110 | |
| 2022CPT.08.03.20622 | Montgomery | 4 | SR 1516 (MCCALLUM RD) | FROM SR 1562 (MCCALLUM POND RD) TO SR 1563 (LOVIN HILL RD) | 1 | 2 | | 0.691 | 20 | 80 | | | |
| TOTAL FOR MAP NO. 4 | | | | | | | | | | 0.691 | | 80 | |
| 2022CPT.08.03.20622 | Montgomery | 5 | SR 1516 (MCCALLUM RD) | FROM NC 731 TO SR 1562 (MCCALLUM POND RD) | 1 | 2 | | 1.497 | 20 | 170 | | | |
| TOTAL FOR MAP NO. 5 | | | | | | | | | | 1.497 | | 170 | |
| 2022CPT.08.03.20622 | Montgomery | 6 | SR 1500 (POST OFFICE RD) | FROM SR 1505 (CABIN CREEK RD) TO SR 1577 (MCCASKILL ST) | 2 | 2 | | 1.49 | 20 | 170 | | | |
| TOTAL FOR MAP NO. 6 | | | | | | | | | | 1.49 | | 170 | |
| TOTAL FOR PROJ NO. 2022CPT.08.03.20622 | | | | | | | | | | 7.849 | | 900 | |
| 2022CPT.08.03.20772 | Richmond | 7 | SR 1994(ELLERBE GROVE CHURCH RD.) | FROM SR 1900(BATTLE DAIRY RD) TO SR 1996(FAIRLY HAYES RD) | | 2 | 2WU | 4.75 | 20 | | | | |
| TOTAL FOR MAP NO. 7 | | | | | | | | | | 4.75 | | | |
| 2022CPT.08.03.20772 | Richmond | 8 | SR 1475(MCDONALD CHURCH RD) | FROM SR 1486(BEAVERDAM CH RD) TO SR 1478(SCOTT MCDONALD RD) | | 2 | 2WU | 3.29 | 20 | | | | |
| TOTAL FOR MAP NO. 8 | | | | | | | | | | 3.29 | | | |
| 2022CPT.08.03.20772 | Richmond | 9 | SR 1487(MILLSTONE RD) | SR 1424(SANDHILLS GAME MANAGEMENT) TO SR 1475(MCDONALD CHURCH RD) | | 2 | 2WU | 5.32 | 20 | | | | |
| TOTAL FOR MAP NO. 9 | | | | | | | | | | 5.32 | | | |
| 2022CPT.08.03.20772 | Richmond | 10 | SR 1004(LITTLE RD) | FROM US HWY 1(MAIN ST) TO MOORE COUNTY LINE | | 2 | 2WU | 2.25 | 20 | | | | |
| TOTAL FOR MAP NO. 10 | | | | | | | | | | 2.25 | | | |
| 2022CPT.08.03.20772 | Richmond | 11 | SR 1307(PLEASANT HILL CH RD) | FROM SR 1148(GRASSY ISLAND RD) TO SR 1005 CARTLEDGE CREEK RD) | 1 | 2 | 2WU | 3.25 | 22 | 364 | | | |
| TOTAL FOR MAP NO. 11 | | | | | | | | | | 3.25 | | 364 | |
| 2022CPT.08.03.20772 | Richmond | 12 | SR 1447(BILL NICHOLSON RD) | FROM SR 1446(HAYWOOD CEMETARY RD) TO SR 1450(GREEN LAKE RD) | 1 | 2 | 2WU | 1.93 | 20 | 216 | | | |
| TOTAL FOR MAP NO. 12 | | | | | | | | | | 1.93 | | 216 | |
| 2022CPT.08.03.20772 | Richmond | 13 | SR 1998(MCGEE RD) | FROM SR 1971(SANDHILLS RD) TO SR 1996(FAIRLY HAYES RD) | 1 | 2 | 2WU | 1.66 | 20 | 186 | | | |
| TOTAL FOR MAP NO. 13 | | | | | | | | | | 1.66 | | 186 | |
| 2022CPT.08.03.20772 | Richmond | 14 | SR 1513(SPRING DR) | FROM SR 1432(MCNEIL RD) TO DEAD END | 1 | 2 | 2WU | 0.329 | 20 | 37 | | | |
| TOTAL FOR MAP NO. 14 | | | | | | | | | | 0.329 | | 37 | |
| TOTAL FOR PROJ NO. 2022CPT.08.03.20772 | | | | | | | | | | 22.779 | | 803 | |
| GRAND TOTAL | | | | | | | | | | 30.628 | | 1,703 | 1 |